

DH-PFB220C

Ceiling Mount Bracket



Features

- Aesthetic design
- Ceiling mount bracket
- Material: aluminum

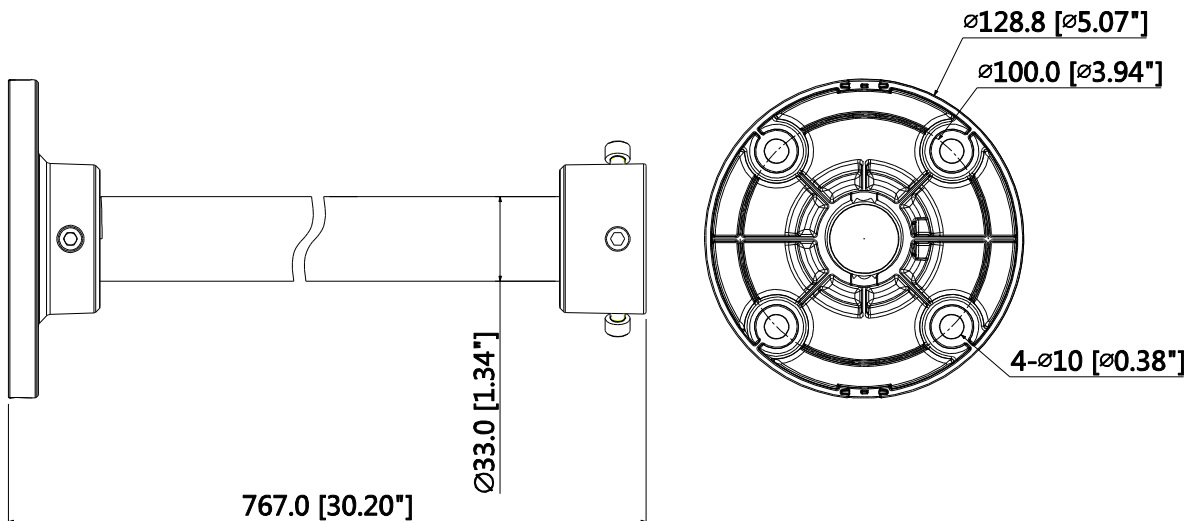
Technical Specifications

Model	DH-PFB220C
General	
Material	Aluminum
Dimension	Φ128.8mmx767.0mm(Φ5.07"x30.2")
Weight	0.9kg(1.98lb)
Load Bearing	2kg(4.41lb)
Color	White
Operating Temperature	-40°C ~60°C(-40°F ~140°F)
Humidity	<90% RH
Applicable Model	DH-PFA106, DH-PFA117

Order Information

Type	Part Number	Description
Camera Mount	DH-PFA106	Adapter plate _ Dahua brand
	PFA106	Adapter plate _Neutral, no brand
	DH-PFB305W	Wall mount bracket _ Dahua brand
	PFB305W	Wall mount bracket _Neutral, no brand
	DH-PFB220C	Ceiling mount bracket _ Dahua brand
	DH-PFB220C	Ceiling mount bracket _Neutral, no brand

Dimensions (mm/inch)



Application



Package Information

- Ceiling mount Bracket *1
- S5.0 Wrench *1